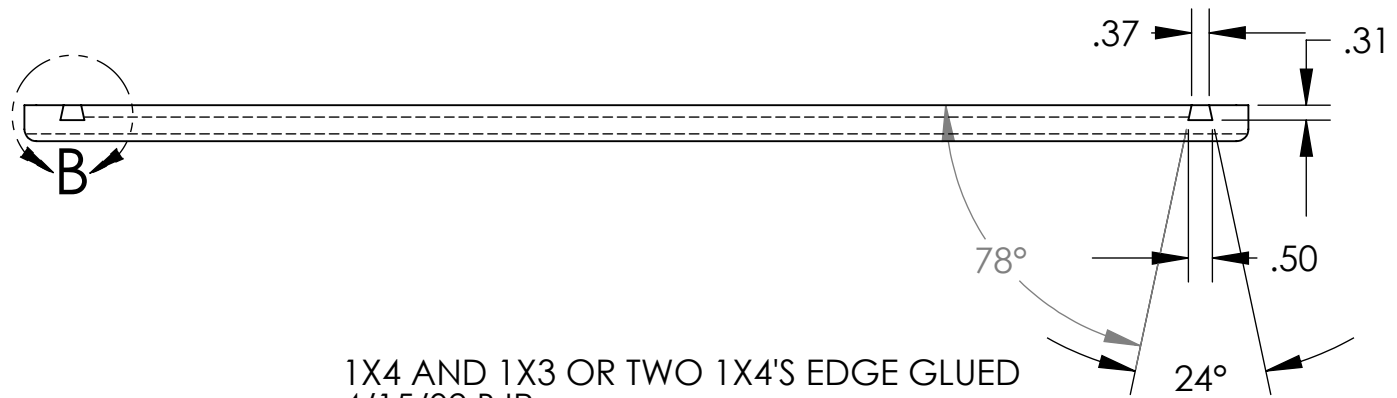
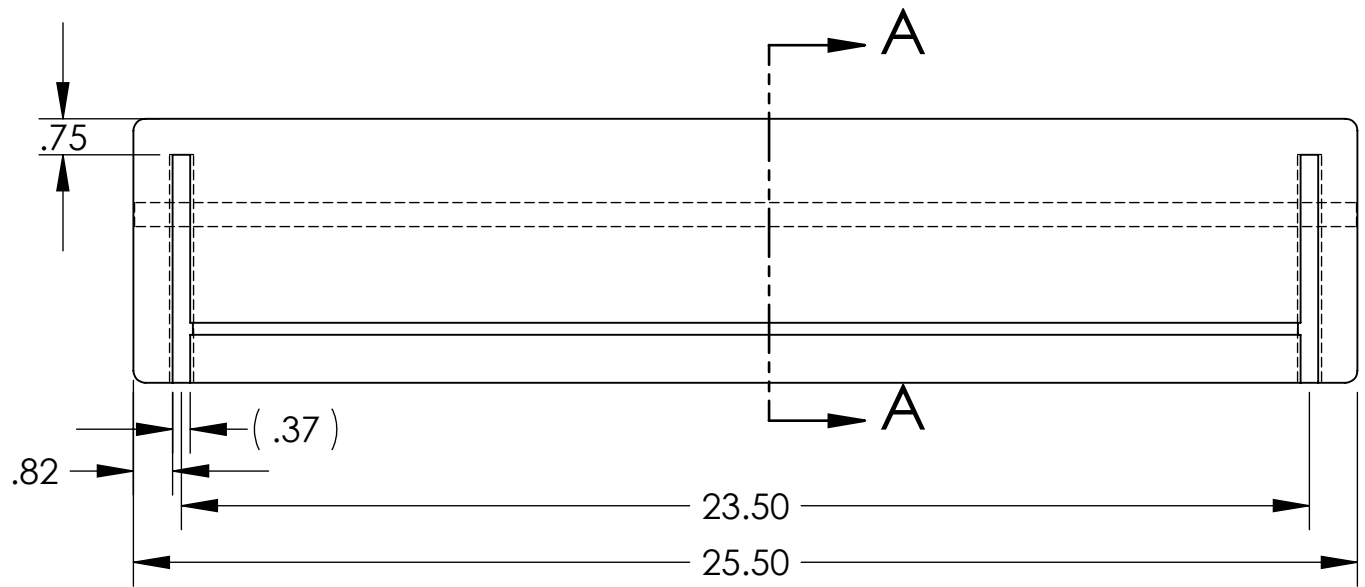
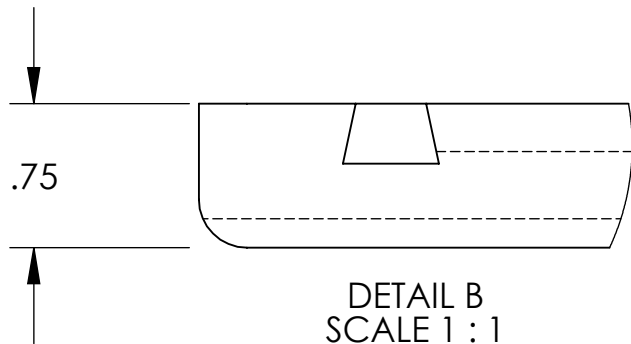


SECTION A-A



1X4 AND 1X3 OR TWO 1X4'S EDGE GLUED
4/15/02 BJR



DETAIL B
SCALE 1 : 1